

1
2
3
4
5
6

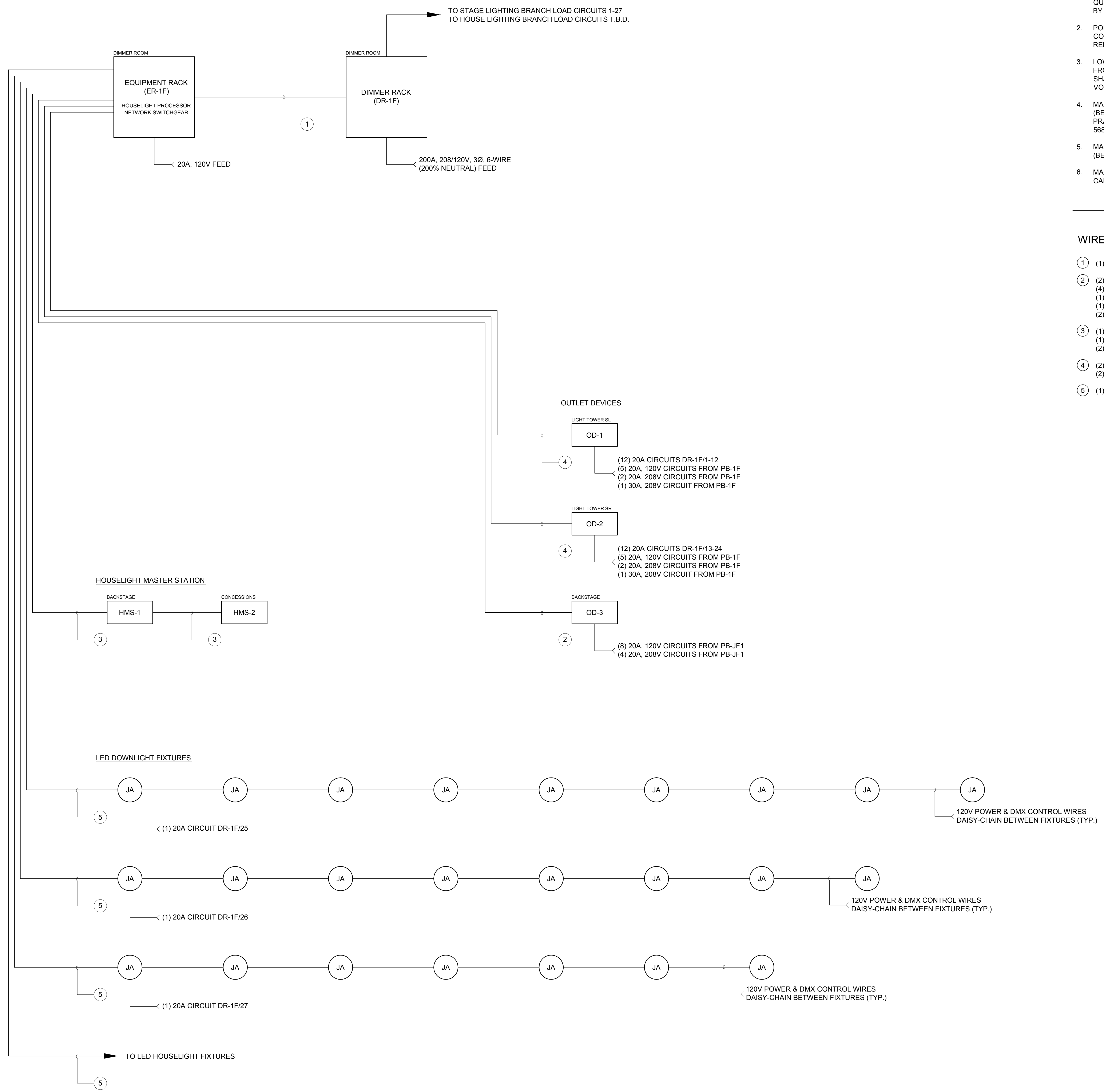
-A-

-B-

-C-

-D-

-E-



- NOTES:**
- THIS DIAGRAM SHOWS THE LAYOUT AND INTERCONNECTION OF THE COMPONENTS IN THE THEATRE LIGHTING CONTROL SYSTEMS TO CONVEY DESIGN INTENT ONLY. FINAL WIRE QUANTITIES, TYPES AND TOPOLOGY SHALL BE DETERMINED BY THE EQUIPMENT MANUFACTURER.
 - PORTABLE EQUIPMENT THAT WILL PLUG IN, INCLUDING CONTROL CONSOLES, HAND-HELD REMOTES, DESIGNER'S REMOTE, AND PRINTER ARE NOT SHOWN.
 - LOW VOLTAGE WIRING SHALL BE RUN IN SEPARATE CONDUIT FROM POWER AND LINE VOLTAGE WIRING. VIDEO WIRING SHALL BE RUN IN SEPARATE CONDUIT FROM POWER, LINE VOLTAGE, AND LOW VOLTAGE WIRING.
 - MAXIMUM ACCEPTABLE LENGTH FOR CAT5e ETHERNET CABLE (BELDEN #7934A) IS 300'-0". INSTALLATION AND TERMINATION PRACTICES SHALL BE IN COMPLIANCE WITH THE ANSI/TIA/EIA 568A AND AS/NZS 3080 STANDARDS.
 - MAXIMUM ACCEPTABLE LENGTH FOR DMX DATA CABLE (BELDEN #9729) IS 1000'-0".
 - MAXIMUM ACCEPTABLE LENGTH FOR HOUSELIGHT CONTROL CABLE (BELDEN #5240U1) IS 1000'-0".

- WIRE & CABLE SCHEDULE:**
- ① (1) BELDEN #7934A CAT5e CABLE
 - ② (2) BELDEN #7934A CAT5e CABLES
(4) BELDEN #9729 DMX CABLES
(1) BELDEN #5240U1 HOUSELIGHT CONTROL CABLE
(1) #14 AWG WIRE
(2) #16 AWG WIRES
 - ③ (1) BELDEN #5240U1 HOUSELIGHT CONTROL CABLE
(1) #14 AWG WIRE
(2) #16 AWG WIRES
 - ④ (2) BELDEN #9729 DMX CABLES
(2) BELDEN #7934A CAT5e CABLES
 - ⑤ (1) BELDEN #9729 DMX CABLE

ETL-1.0

**RAHWAY HAMILTON ARTS
AMPHITHEATER**
HAMMILTON STREET
RAHWAY, NEW JERSEY

CONSTRUCTION DOCUMENTS

Project No 0931
Drawing Title THEATRICAL LTG FUNCTIONAL DIAGRAM
File Name Amph ETL.DWG

Drawn By JDS
Checked By
Date 07.26.10
Revisions

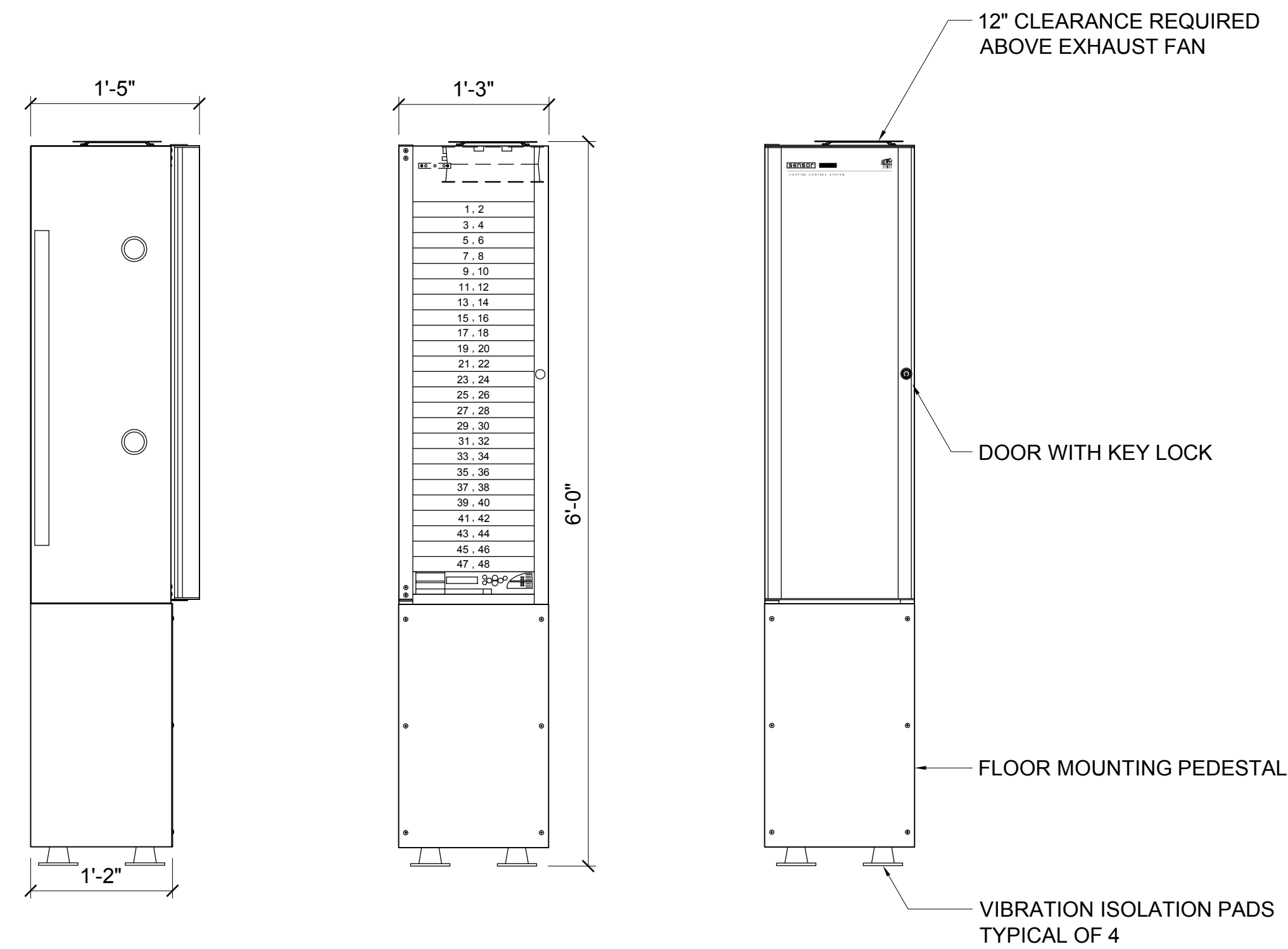
Farewell Mills Gatsch architects
Farewell Mills Gatsch architects

T 609-452-1777
F 609-452-7192
200 Forestal Road
Princeton, NJ 08540
www.fmg-arch.com

Michael Farewell FAIA NJC - 9229
Michael J. Mills FAIA NJC - 8207
Michael Schroering AIA NJC - 12164
Lorine Murray-Mechini AIA NJC - 11137

-A-

-B-



NOTE:
1. RACK REQUIRES A 200A, 208/120V, 3Ø, 6-WIRE (200% NEUTRAL) FEED.

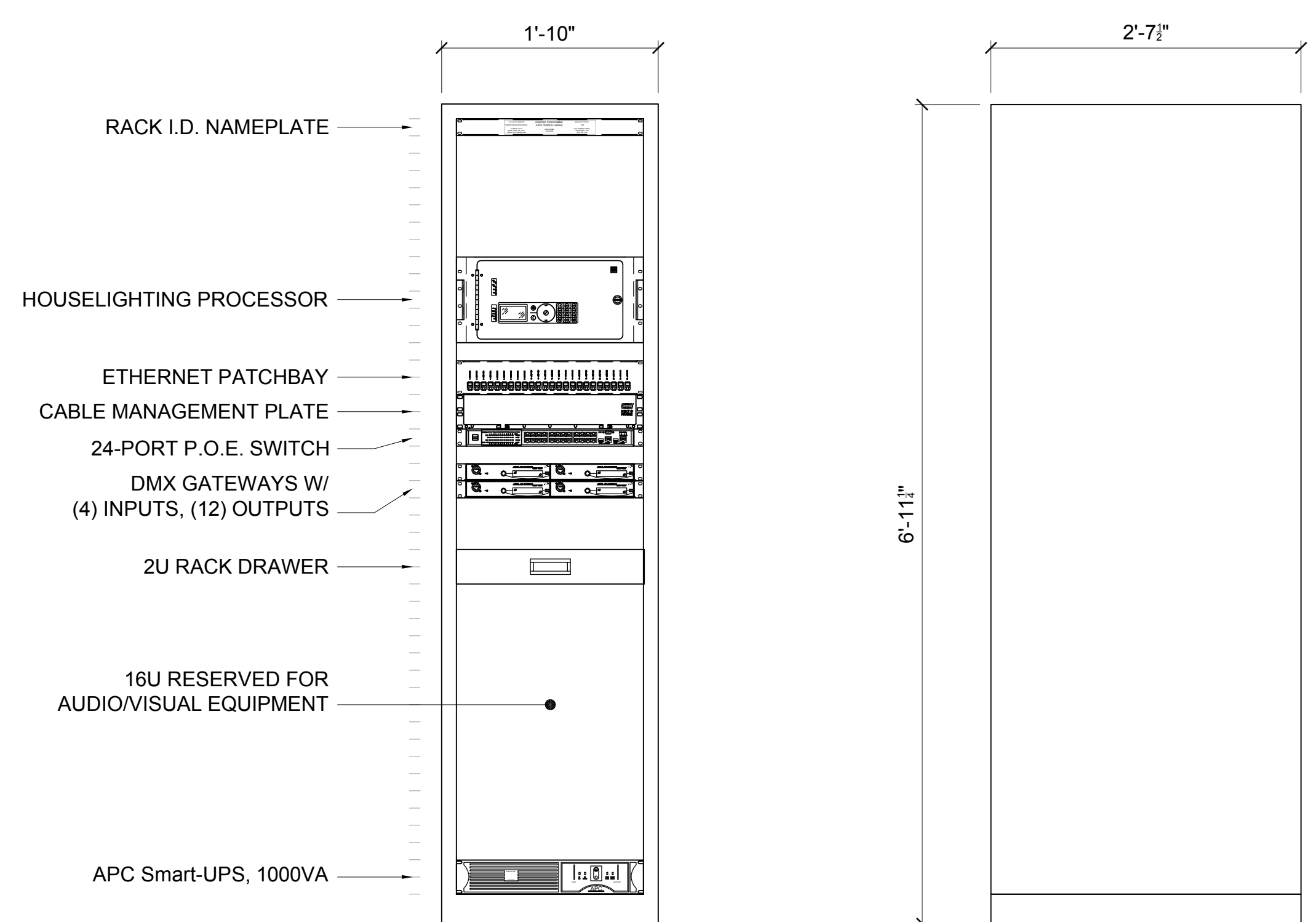
1 DIMMER RACK (DR-1F)
1" = 1'-0"

DIMMER RACK SCHEDULE						
DIMMER NUMBER	USE	CIRCUIT NUMBER	DIMMER TYPE	DMX CHANNEL	CONNECTED LOAD	LOAD TYPE
1	LIGHT TOWER SL RECEPTACLE	DR-1F 1	2.4 KW - GFCI	1	VARIES	VARIES
2	LIGHT TOWER SL RECEPTACLE	DR-1F 2	2.4 KW - GFCI	2	VARIES	VARIES
3	LIGHT TOWER SL RECEPTACLE	DR-1F 3	2.4 KW - GFCI	3	VARIES	VARIES
4	LIGHT TOWER SL RECEPTACLE	DR-1F 4	2.4 KW - GFCI	4	VARIES	VARIES
5	LIGHT TOWER SL RECEPTACLE	DR-1F 5	2.4 KW - GFCI	5	VARIES	VARIES
6	LIGHT TOWER SL RECEPTACLE	DR-1F 6	2.4 KW - GFCI	6	VARIES	VARIES
7	LIGHT TOWER SL RECEPTACLE	DR-1F 7	2.4 KW - GFCI	7	VARIES	VARIES
8	LIGHT TOWER SL RECEPTACLE	DR-1F 8	2.4 KW - GFCI	8	VARIES	VARIES
9	LIGHT TOWER SL RECEPTACLE	DR-1F 9	2.4 KW - GFCI	9	VARIES	VARIES
10	LIGHT TOWER SL RECEPTACLE	DR-1F 10	2.4 KW - GFCI	10	VARIES	VARIES
11	LIGHT TOWER SL RECEPTACLE	DR-1F 11	2.4 KW - GFCI	11	VARIES	VARIES
12	LIGHT TOWER SL RECEPTACLE	DR-1F 12	2.4 KW - GFCI	12	VARIES	VARIES
13	LIGHT TOWER SR RECEPTACLE	DR-1F 13	2.4 KW - GFCI	13	VARIES	VARIES
14	LIGHT TOWER SR RECEPTACLE	DR-1F 14	2.4 KW - GFCI	14	VARIES	VARIES
15	LIGHT TOWER SR RECEPTACLE	DR-1F 15	2.4 KW - GFCI	15	VARIES	VARIES
16	LIGHT TOWER SR RECEPTACLE	DR-1F 16	2.4 KW - GFCI	16	VARIES	VARIES
17	LIGHT TOWER SR RECEPTACLE	DR-1F 17	2.4 KW - GFCI	17	VARIES	VARIES
18	LIGHT TOWER SR RECEPTACLE	DR-1F 18	2.4 KW - GFCI	18	VARIES	VARIES
19	LIGHT TOWER SR RECEPTACLE	DR-1F 19	2.4 KW - GFCI	19	VARIES	VARIES
20	LIGHT TOWER SR RECEPTACLE	DR-1F 20	2.4 KW - GFCI	20	VARIES	VARIES
21	LIGHT TOWER SR RECEPTACLE	DR-1F 21	2.4 KW - GFCI	21	VARIES	VARIES
22	LIGHT TOWER SR RECEPTACLE	DR-1F 22	2.4 KW - GFCI	22	VARIES	VARIES
23	LIGHT TOWER SR RECEPTACLE	DR-1F 23	2.4 KW - GFCI	23	VARIES	VARIES
24	LIGHT TOWER SR RECEPTACLE	DR-1F 24	2.4 KW - GFCI	24	VARIES	VARIES
25	LED DOWNLIGHT FIXTURES	DR-1F 25	2.4 KW - ND	25	900 W	LED
26	LED DOWNLIGHT FIXTURES	DR-1F 26	2.4 KW - ND	26	800 W	LED
27	LED DOWNLIGHT FIXTURES	DR-1F 27	2.4 KW - ND	27	700 W	LED
28	SPARE	DR-1F 28	2.4 KW - ND	28	-	-
29	HOUSELIGHTS	DR-1F 29	2.4 KW - GFCI	29		
30	HOUSELIGHTS	DR-1F 30	2.4 KW - GFCI	30		
31	HOUSELIGHTS	DR-1F 31	2.4 KW - GFCI	31		
32	HOUSELIGHTS	DR-1F 32	2.4 KW - GFCI	32		
33	HOUSELIGHTS	DR-1F 33	2.4 KW - GFCI	33		
34	HOUSELIGHTS	DR-1F 34	2.4 KW - GFCI	34		
35	HOUSELIGHTS	DR-1F 35	2.4 KW - GFCI	35		
36	HOUSELIGHTS	DR-1F 36	2.4 KW - GFCI	36		
37	HOUSELIGHTS	DR-1F 37	2.4 KW - GFCI	37		
38	HOUSELIGHTS	DR-1F 38	2.4 KW - GFCI	38		
39	HOUSELIGHTS	DR-1F 39	2.4 KW - GFCI	39		
40	HOUSELIGHTS	DR-1F 40	2.4 KW - GFCI	40		
41	HOUSELIGHTS	DR-1F 41	2.4 KW - GFCI	41		
42	HOUSELIGHTS	DR-1F 42	2.4 KW - GFCI	42		
43	HOUSELIGHTS	DR-1F 43	2.4 KW - GFCI	43		
44	HOUSELIGHTS	DR-1F 44	2.4 KW - GFCI	44		
45	HOUSELIGHTS	DR-1F 45	2.4 KW - GFCI	45		
46	HOUSELIGHTS	DR-1F 46	2.4 KW - GFCI	46		
47	HOUSELIGHTS	DR-1F 47	2.4 KW - GFCI	47		
48	HOUSELIGHTS	DR-1F 48	2.4 KW - GFCI	48		

KEY
GFCI = GFCI DIMMER MODULE
ND = NON-DIM MODULE
AFM = AIR FLOW MODULE

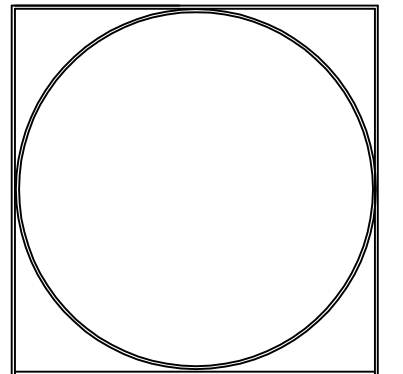
-C-

-D-



NOTES:
1. ALL EQUIPMENT MUST FIT IN ONE RACK FRAME.
2. PROVIDE MATTE BLACK BLANK PANELS FOR ALL OPEN SPACES.
3. EQUIPMENT RACK FED WITH (1) 20A, 1Ø, 120V FEED.

2 EQUIPMENT RACK (ER-1F)
1" = 1'-0"

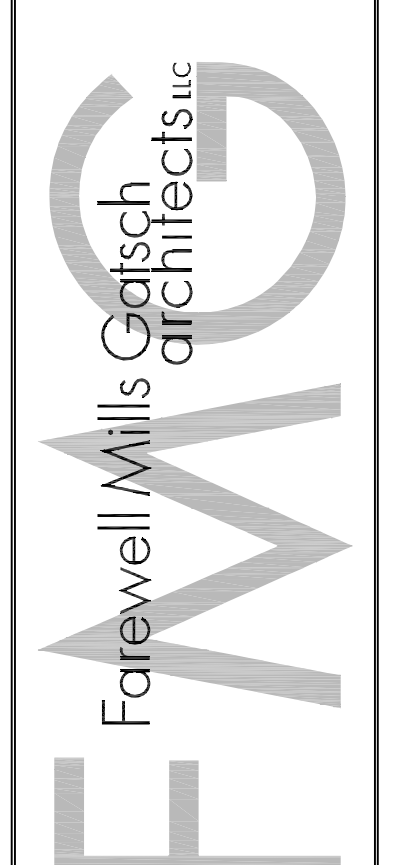


Michael Forewell FAIA
NJC - 8229

Michael J. Mills FAIA
NJC - 8207

Michael Schroering AIA
NJC - 12164

Lorine Murray-Mechini AIA
NJC - 11137



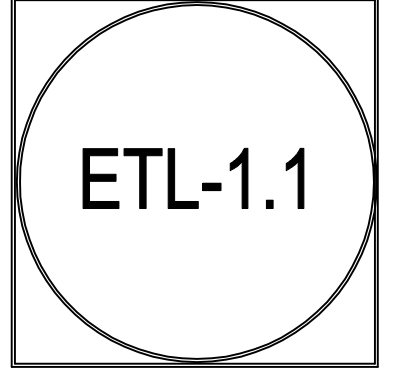
Farewell Mills Gatsch
architects llc

T 609-452-1777
F 609-452-7192
200 Forestal Road
Princeton, NJ 08540
www.fmg-arch.com

Drawn By: JDS
Checked By:
Date: 07.26.10
Revisions:

**RAHWAY HAMILTON ARTS
AMPHITHEATER**
HAMMILTON STREET
RAHWAY, NEW JERSEY

Project No: 0931
Drawing Title: DIMMER RACK & EQUIPMENT RACK
File Name: Amph ETLDWG



ETL-1.1

CONSTRUCTION DOCUMENTS

-E-

1

2

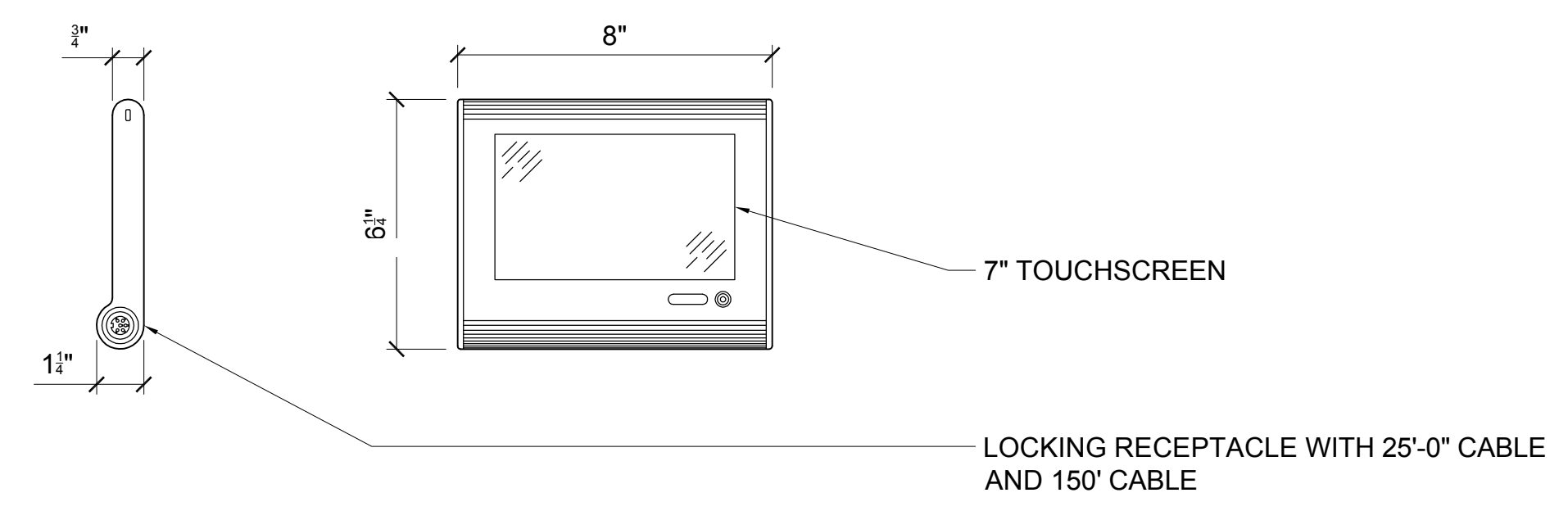
3

4

5

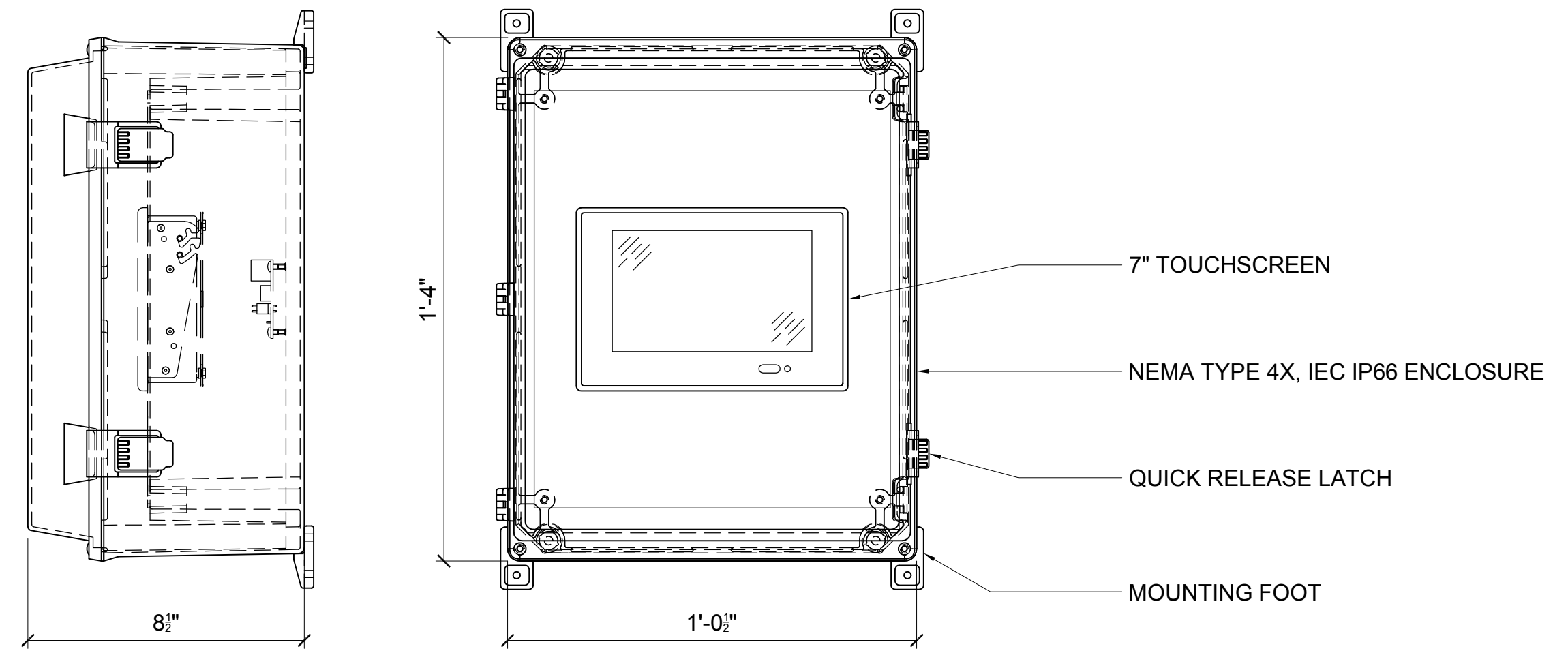
6

-A-



(1) ASSEMBLY REQUIRED

1 PORTABLE HOUSELIGHT CONTROL STATION
3" = 1'-0"



(2) ASSEMBLIES REQUIRED

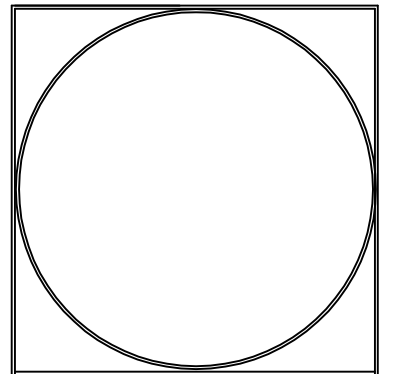
2 HOUSELIGHT MASTER STATION (HMS)
3" = 1'-0"

-B-

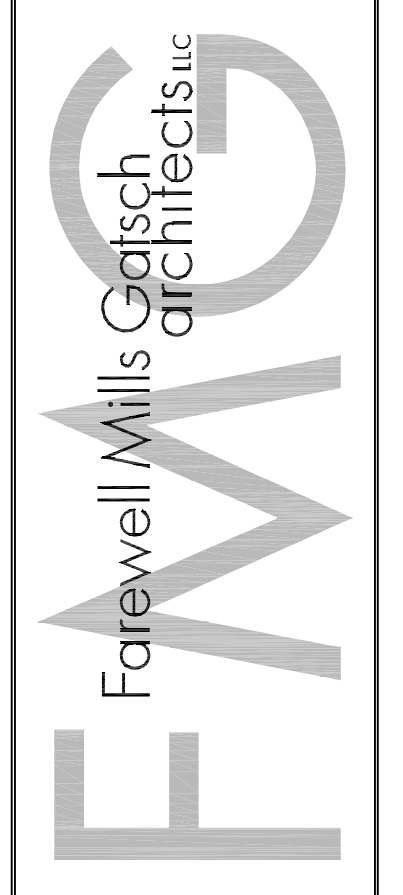
-C-

-D-

-E-



Michael Farewell FAIA
NJC - 8229
Michael J. Mills FAIA
NJC - 8207
Michael Schroering AIA
NJC - 12164
Lorine Murray-Mechini AIA
NJC - 11137

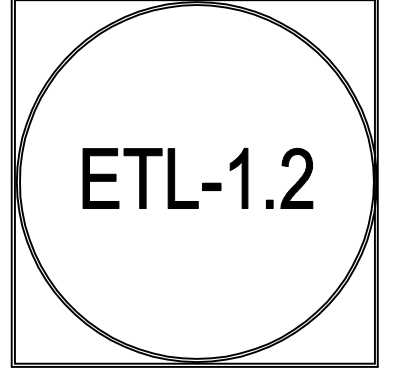


T 609-452-1777
F 609-452-7192
200 Forestal Road
Princeton, NJ 08540
www.fmg-arch.com

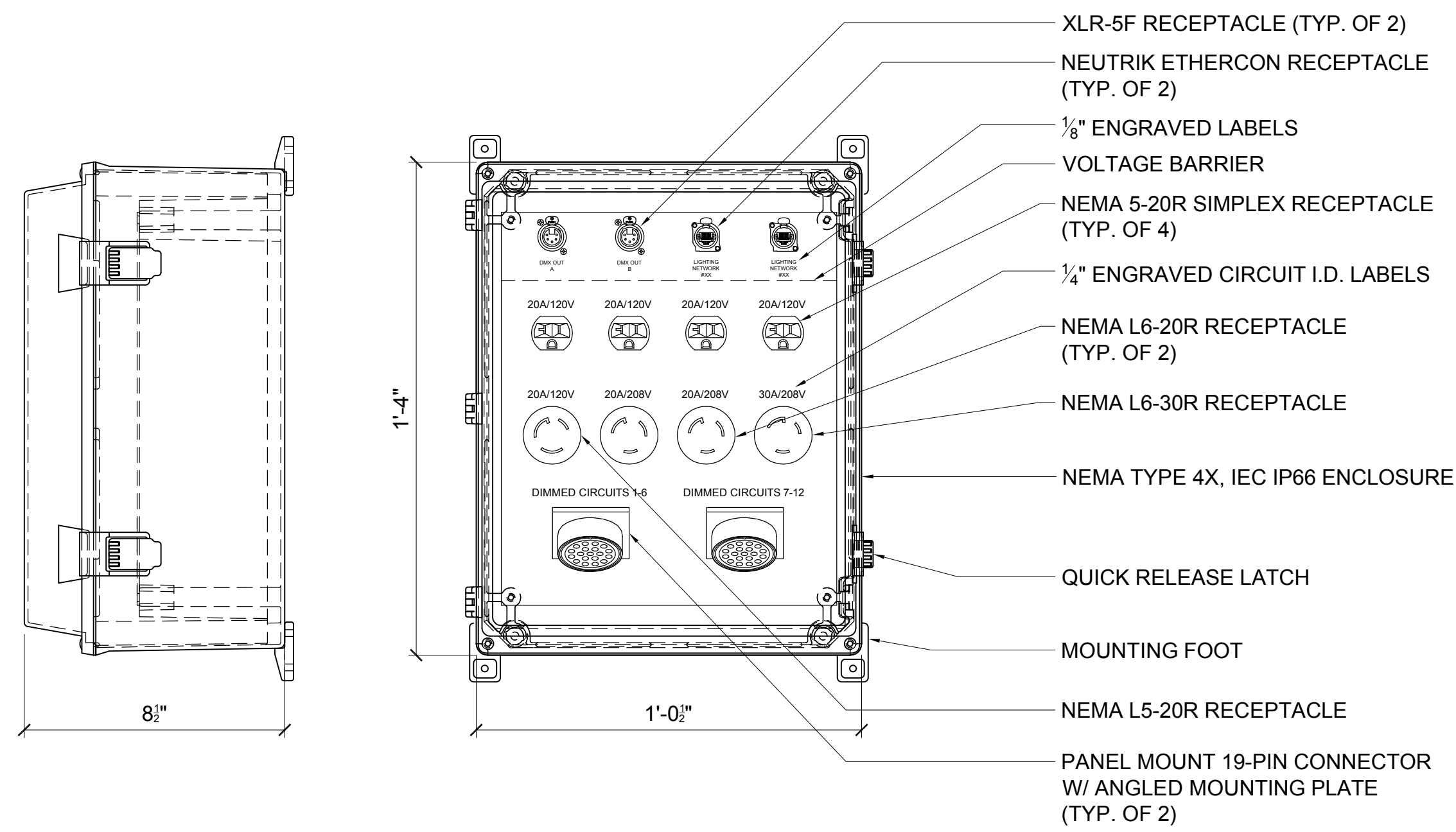
Drawn By	JDS
Checked By	
Date	07.26.10
Revisions	

**RAHWAY HAMILTON ARTS
AMPHITHEATER**
HAMMILTON STREET
RAHWAY, NEW JERSEY

Project No	0931
Drawing Title	CONTROL DEVICES
File Name	Amph ETL.DWG

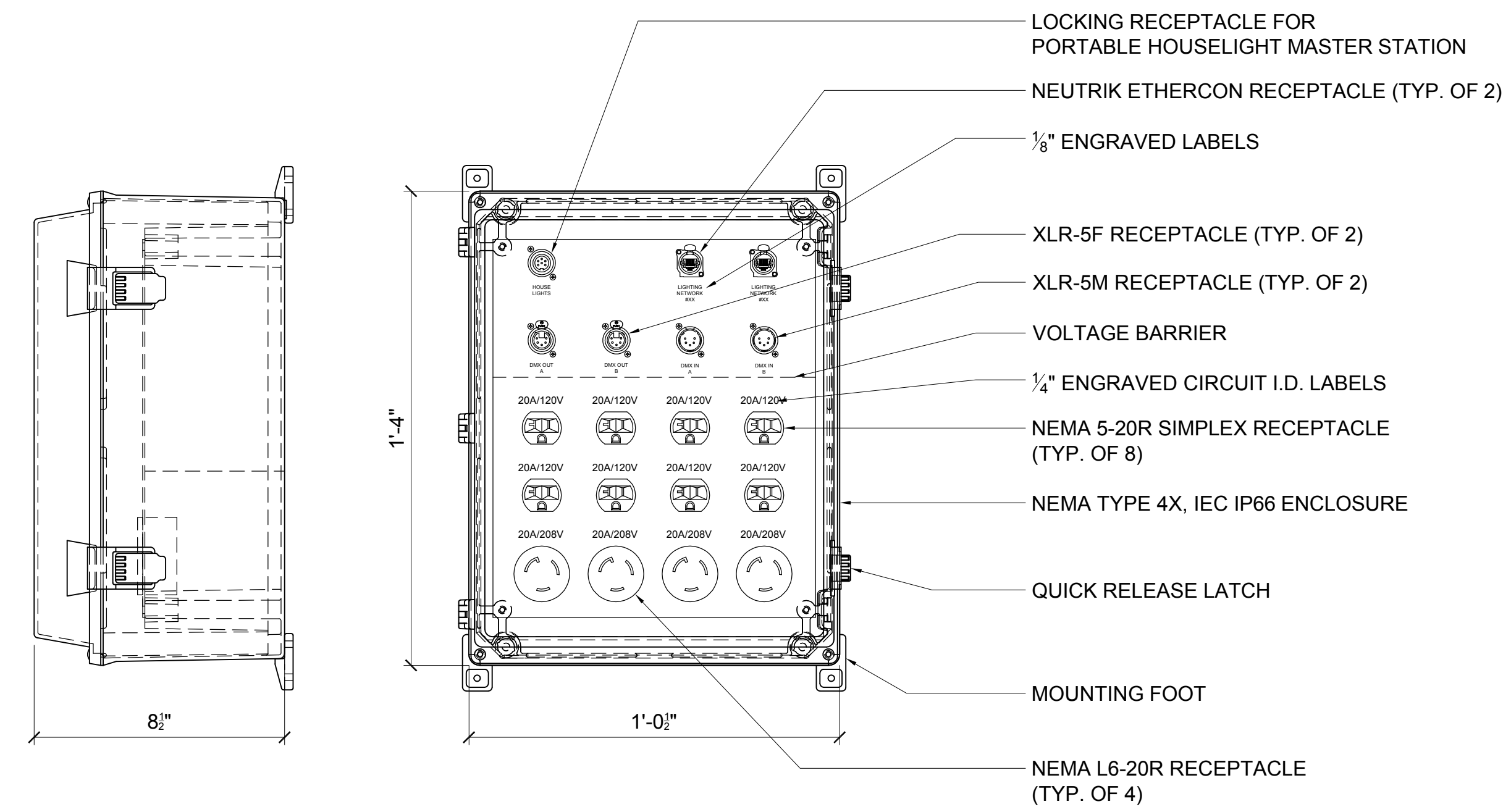


CONSTRUCTION DOCUMENTS



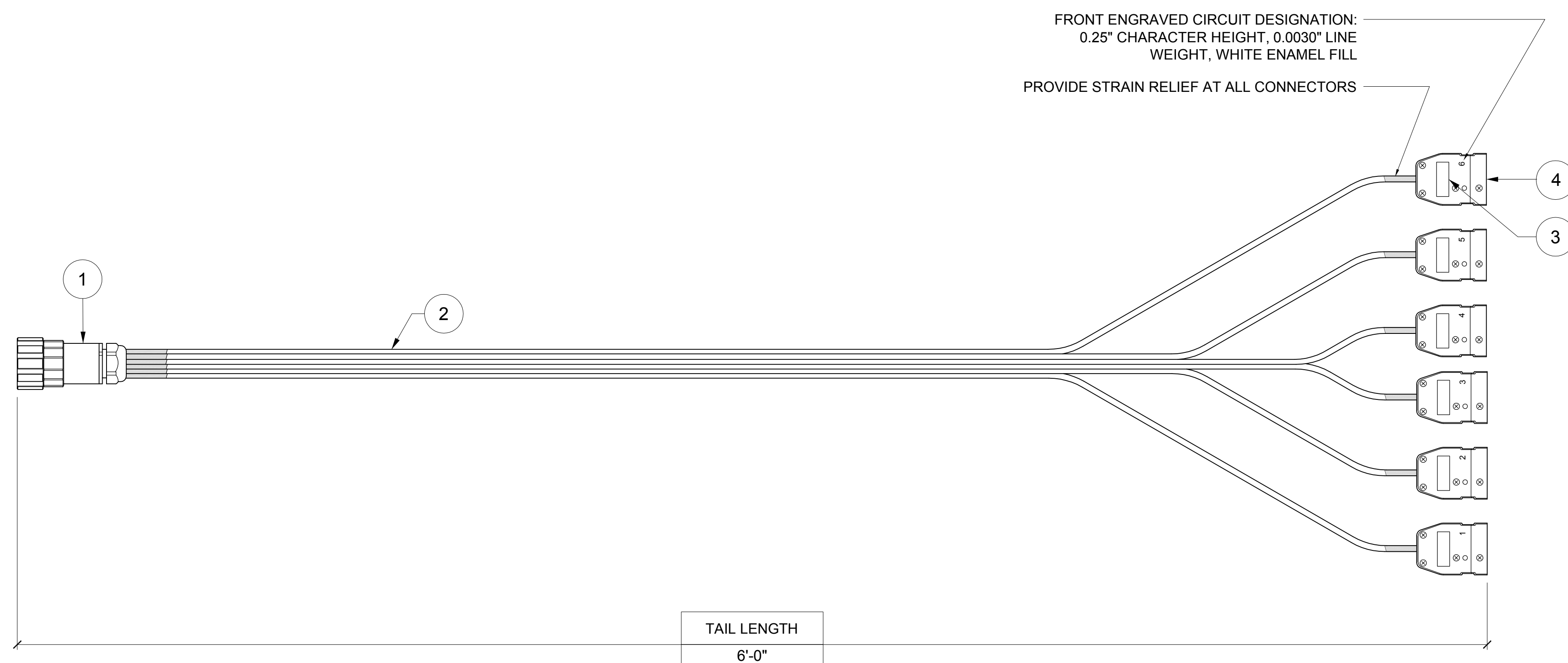
(2) ASSEMBLIES REQUIRED.
REFER TO SHEET ETL-1.0 FOR DIMMED
CIRCUIT NUMBERS

1 OUTLET DEVICES OD-1 & OD-2
3" = 1'-0"



(1) ASSEMBLY REQUIRED

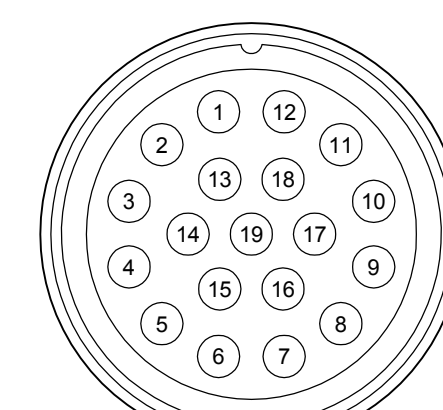
2 OUTLET DEVICE OD-3
3" = 1'-0"



FRONT ENGRAVED CIRCUIT DESIGNATION:
0.25" CHARACTER HEIGHT, 0.0030" LINE
WEIGHT, WHITE ENAMEL FILL
PROVIDE STRAIN RELIEF AT ALL CONNECTORS

PIN-OUTS/COLOR CODES

PIN #	SIGNAL	COLOR
1	HOT 1	BLACK
2	NEUTRAL 1	WHITE
3	HOT 2	BLACK
4	NEUTRAL 2	WHITE
5	HOT 3	BLACK
6	NEUTRAL 3	WHITE
7	HOT 4	BLACK
8	NEUTRAL 4	WHITE
9	HOT 5	BLACK
10	NEUTRAL 5	WHITE
11	HOT 6	BLACK
12	NEUTRAL 6	WHITE
13	GROUND BUSSED	GREEN
14	GROUND BUSSED	GREEN
15	GROUND BUSSED	GREEN
16	GROUND BUSSED	GREEN
17	GROUND BUSSED	GREEN
18	GROUND BUSSED	GREEN
19	N/C	

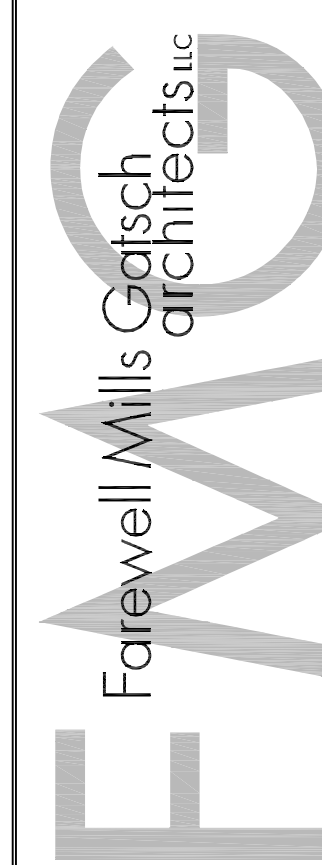


LEX MAC19MIK
REAR VIEW

ITEM	QTY.	PART NUMBER	PART DESCRIPTION
1	1	LEX MAC19MIK	LEX MAC 19 PIN INLINE MALE RECEPTACLE WITH CRIMP TERMINALS, BACK SHELL & COMPRESSION GRIP CABLE SEAL FOR (6) 12/3 SJO CABLES
2	A/R	-	12/3 SJO CABLE
3	6	-	LAMINATED PHENOLIC WRITING SURFACE
4	6	2P20GF	FEMALE 2P+G INLINE CONNECTOR

(4) ASSEMBLIES REQUIRED

3 MULTICABLE BREAKOUTS
1" = 1'-0"



Michael Farewell FAIA
 N.J.C. - 8229
 Michael J. Mills FAIA
 N.J.C. - 8207
 Michael Schroering AIA
 N.J.C. - 12164
 Lorine Murray-Mechini AIA
 N.J.C. - 11137

T 609-452-1777
 F 609-452-7192
 200 Forestal Road
 Princeton, NJ 08540
 www.fmg-arch.com

Drawn By: JDS
 Checked By:
 Date: 07.26.10
 Revisions:

**RAHWAY HAMILTON ARTS
 AMPHITHEATER**
 HAMMILTON STREET
 RAHWAY, NEW JERSEY

Project No: 0931
 Drawing Title: OUTLET DEVICES
 File Name: Amph ETL.DWG

ETL-1.3